

TUBE FRAME

14,000 • 16,000 • 20,000 • 24,000 GVW

Partial Tilt-TBCT

Zinc Primed & Powder Coat Finish • 83" Width Between Fenders • (4) D-Rings • Flush Deck • Pallet Fork Holders



Fender guides standard on 20,000 GVW model

2 x 8 treated wood floor

83" wide between fenders

(4) D-Rings Standard, Shown With Optional (4) Additional

Optional Spare Tire/Wheel and Mount

DOT approved all sealed rubber mounted LED lights with cold weather harness

3" Channels on 12" Centers

Zinc rich primer and powder coat finish

TBCT2220ET-10K with (2) 10K axles; 16' tilt, 6' stationary; 20,000 GVW Rated

- OPTIONAL**
- Third Axle
 - Spare Tire & Mount
 - Bolt-on Toolbox
 - Oak Floor
 - Gooseneck Coupler
 - Winch Mount (Bolt-on)
 - Electric Jack
 - Rub Rail
 - Fender Guards
 - Removable Fenders
 - Power Tilt



2.5 x 8" cushioned cylinder and 12" crossmembers.



Tiltbed locking mechanism.



Manufactured by:

Behnke Enterprises, Inc. ■ 800 9th Ave. NW, Farley, IA 52046 ■ Ph. (563)744-3246 ■ Fax (563)744-9066
www.behnkeenterprises.com

Partial Tilt

14,000 • 16,000 • 20,000 • 24,000 GVW

TUBE FRAME

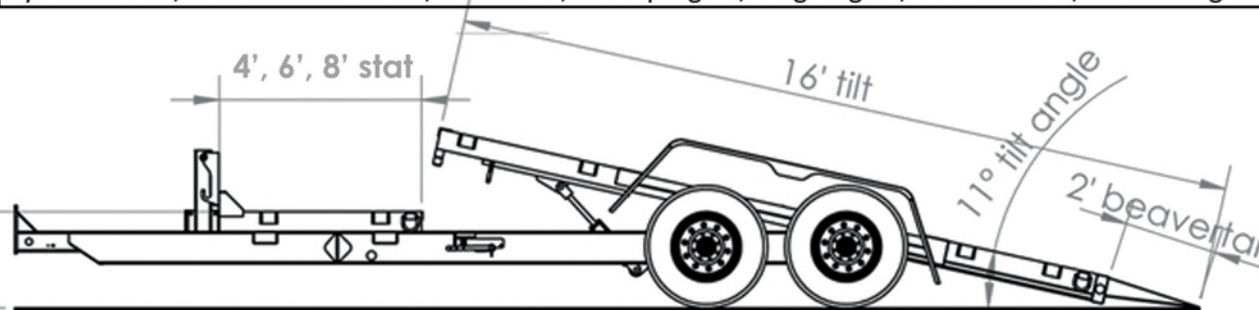
| | 20' (4' + 16') | 22' (6' + 16') | 24' (8' + 16') | 20' (2' + 18') | 22' (4' + 18') | 24' (6' + 18') |
|---------------|----------------|----------------|----------------|----------------|----------------|----------------|
| (2) 7K Axles | TBCT2014ET | TBCT2214ET | TBCT2414ET | TBCT2014ET-XL | TBCT2214ET-XL | TBCT2414ET-XL |
| (2) 8K Axles | TBCT2016ET | TBCT2216ET | TBCT2416ET | TBCT2016ET-XL | TBCT2216ET-XL | TBCT2416ET-XL |
| (2) 10K Axles | TBCT2020ET | TBCT2220ET | TBCT2420ET | TBCT2020ET-XL | TBCT2220ET-XL | TBCT2420ET-XL |
| (2) 12K Axles | TBCT2024ET | TBCT2224ET | TBCT2424ET | TBCT2024ET-XL | TBCT2224ET-XL | TBCT2424ET-XL |

- (2) 7,000 lb. Dexter Torflex Axles; (4) 235-80R-16E 10-Ply Tire & Wheel
- (2) 8,000 lb. Dexter Torflex Axles; (4) 215-75R-17.5 16-Ply Tire & Wheel
- (2) 10,000 lb. Dexter Torflex Axles; (4) 235/75R-17.5 Super Single 18-Ply Tire & Wheel
- (2) 12,000 lb. Dexter Torflex Axles; (4) 235-75R-17.5 Super Single 18-Ply Tire & Wheel

| | | |
|---------------------|--|-------------------------------------|
| Frame | Stationary: 8 x 2 Tube Frame | Tilt: 5 x 3 x 1/4 Angle Iron |
| | 2' Beavertail: 1/8" Tread Plate Knife Edge Tail With Supports Every 7" | |
| | Front Rail: 3/16" Formed Sheet Metal 5" Above Frame | |
| Crossmembers | 3" Channels on 12" Centers | |
| Jack | 10,000 lb. Heavy Duty Drop Leg Jack | |
| Cylinder | 2.5 x 8" Cushioned Cylinder | |
| Hitch | 2 5/16 Adjustable Flat Plate Coupler or Pintle Hitch | |
| Tie-Downs | (4) D-Rings--(2) rear of stationary, (2) rear of tilt; Stake Pockets | |
| Finish | Pre-Blasted, Acid Washed, Zinc Rich Primer, Powder Coat Finish | |
| Electrical | Electrical Completed After Paint; DOT Approved All Sealed Rubber Mounted LED; Wiring Is Protected Through Tube Frame | |
| Decking | 2 x 8 Treated Lumber | |
| Standard | True 83" Wide Between the Fenders; Side Hand Valve; Flush Deck; Pallet Fork Holders; Chain Tray; Cold Weather Wiring Harness | |
| Optional | Third Axle; Spare Tire and Mount; Bolt-on Toolbox; Oak Floor; Gooseneck Coupler; Winch Mount -- Bolt-on or Weld-on | |
| | Hydraulic Jack; Removable Fenders; Power Tilt; Backup Lights; Cargo Lights; Traction Bars; Solar Charger | |



24" deck height



*Also available in 6', 8' and 10' stationary.

Manufactured by:

Behnke Enterprises, Inc.

800 9th Ave. NW, Farley, IA 52046 ■ Ph. (563)744-3246 ■ Fax (563)744-9066 ■ www.behnkeenterprises.com

