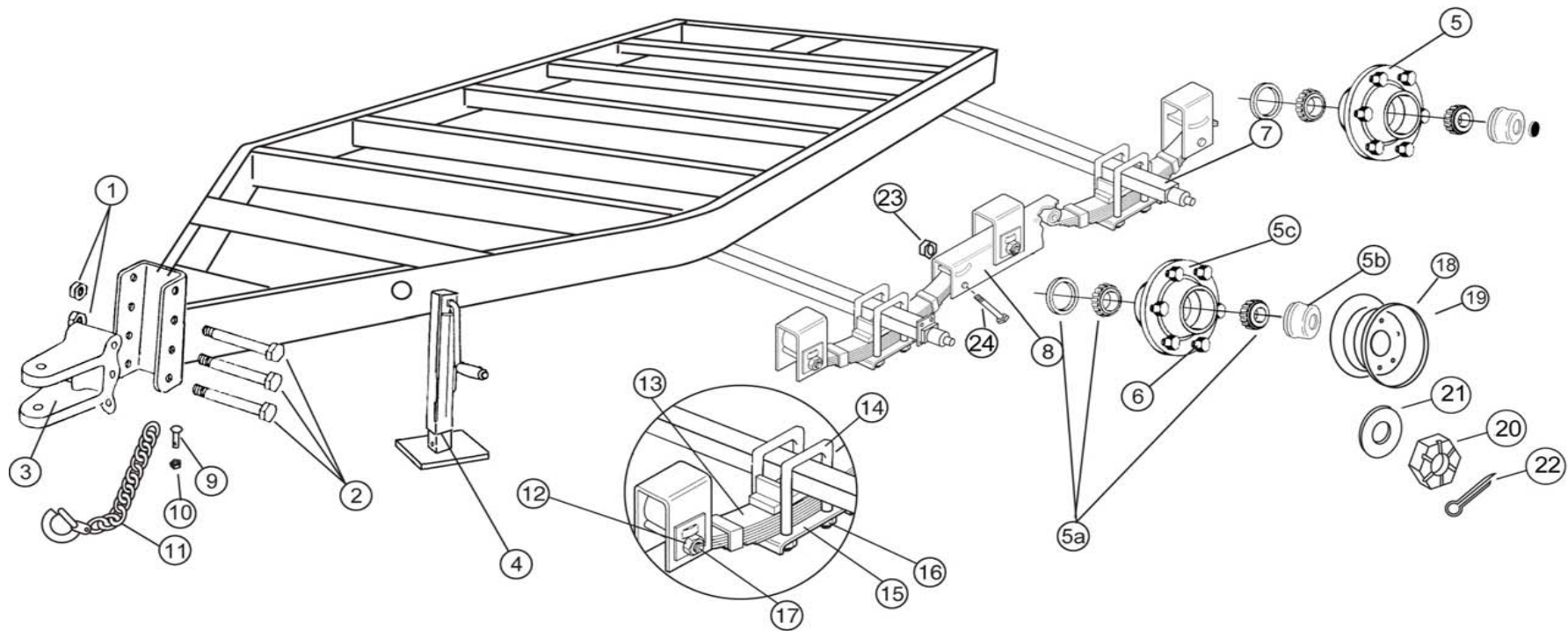


T16ST Nurse Tank Trailer



Key #	Part #	Description
1	81077	5/8" Lock Nut
2	81076	5/8" x 4 1/2" Bolt
3	81075	Clevis Hitch
4	81057	Swivel Jack
5	81113	6 Bolt Hub, Complete w/ Bearings
5a	81111	Bearings & Seal only
5b	81021	Dust Cap, only
5c	81114	6 Bolt hub, only
6	81070	1/2" Lug Nut
7	91112	Axle beam only
8	81079	Center Equilizer
9	81044	1/2" x 1 1/4" Grade 5 Carriage Bolt
10	81040	1/2" Lock Nut, 13 Coarse
11	81012	Safety Chain w/ Hook
12	81045	9/16" x 18 hex lock nut
13	81014	Slipper spring 7-leaf
14	81092	5/8 x 7 Square U-bolt

Key #	Part #	Description
15	81080	Spring Plate for 2" Spring
16	81093	5/8 18 Fine Thread Nut
17	81015	9/16 x 3 1/2" Suspension Bolts
18	81005	15 x 8 6-hole
19	81006	15 x 10 6-hole
20	81206	7/8 Castle nut
21	81205	7/8 Washer
22	81104	1/8" x 2" Cotter Pin
23	81097	7/8 x 9 Hex Nut
24	81242	7/8 x 4 1/2 Wet Equalizer Bolt

Model:	T16ST Nurse Tank Trailer
Manufactured by:	Behnke Enterprises, Inc.
Date:	9/28/2010
File Name:	t16st tank

