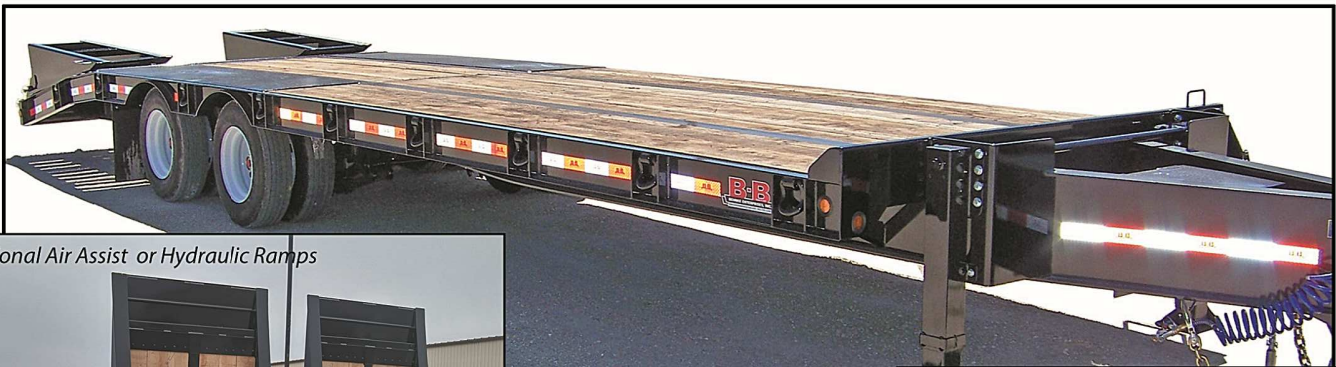


Flatbed

Super Duty



Optional Air Assist or Hydraulic Ramps



FB8X31SDPT-50L with 6' Angle Iron Beavertail



FB8X32SDPT-50H with Optional Hydraulic Bi-Fold Ramp

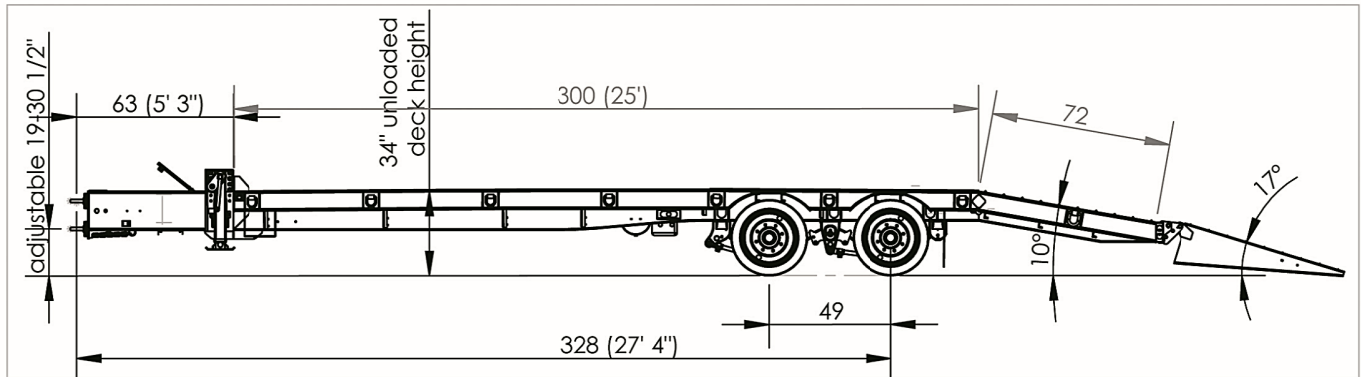


Manufactured by:

Behnke Enterprises, Inc. ■ 800 9th Ave. NW, Farley, IA 52046 ■ Ph. (563)744-3246 ■ Fax (563)744-9066 ■ www.behnkeenterprises.com

Super Duty

Flatbed



*Drawing is representative of dimensions available. Contact dealer for additional specs.

Super Duty Flatbed Trailer

GVW	Bed Length	Beavertail	Width
40,000	21', 23', 25', or 27'	6'	8' 6"

Axles	(1) 20,000 lb. axle w/ ABS Air Brakes, Spring Ride (1) 20,000 lb. axle w/ Non-ABS Air Brakes, Spring Ride
Tires/Rims	(8) 235/75R-17.5 Load Range H Tire (16-ply) w/ Dual Wheel

Frame	1 Piece I-beam construction, 80 ksi web and T1 flanges
Hitch	3" Adjustable Pintle Hitch (Rated at 90,000 lbs.)
Brakes	Air Brakes
Toolbox	Toolbox in Tongue With Lockable Lid
Jack	(2) Dual Speed Semi-style Landing Gear
Beavertail	6' Self Cleaning Angle Iron Beavertail
Ramps	6' Self Cleaning Angle Iron Ramps (spring loaded both directions)
Floor	Oak Deck
	Solid Front Rail
	4" Jr. I-Beam Crossmembers on 16" Centers
	8" Channel Side Rail
	1/4" Steel Over the Wheels
	D-rings -- Every 4'
	(2) Grade 70 Transporter Safety Chains
Deck Height	Approximately 34" when unloaded
Lights	Rubber mounted sealed LED lights
	Mud Flaps
	Reflector Tape
Finish	Zinc Rich Primed and Powder Coated--Standard: Black, Red, Blue, Gray & Yellowstone



Manufactured by:

Behnke Enterprises, Inc. ■ 800 9th Ave. NW, Farley, IA 52046 ■ Ph. (563)744-3246 ■ Fax (563)744-9066
www.behnkeenterprises.com