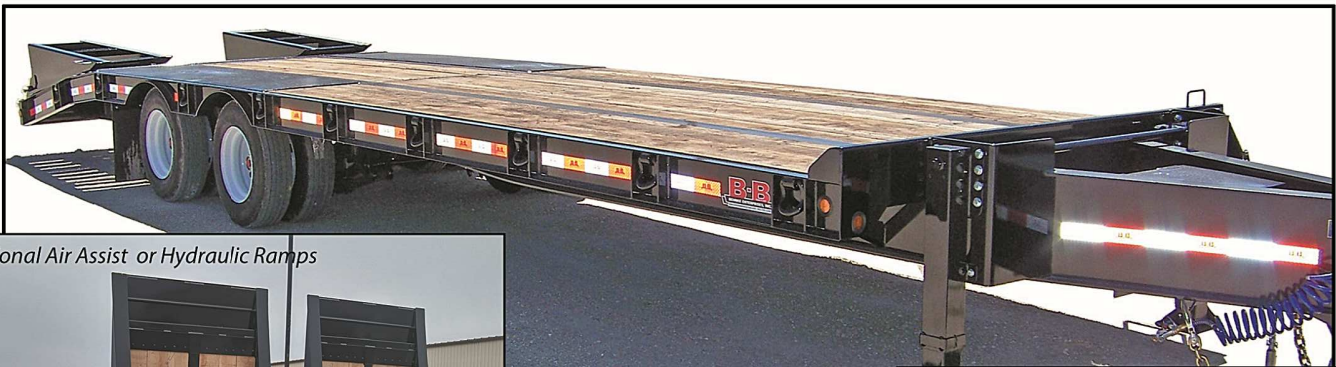


# Flatbed

# Super Duty



Optional Air Assist or Hydraulic Ramps



FB8X31SDPT-50L with 6' Angle Iron Beavertail



FB8X32SDPT-50H with Optional Hydraulic Bi-Fold Ramp

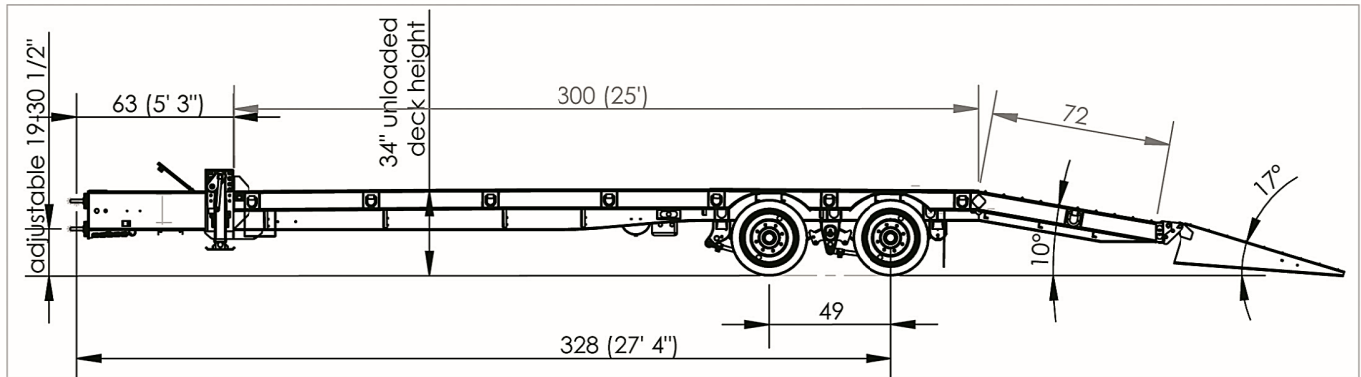


Manufactured by:

Behnke Enterprises, Inc. ■ 800 9th Ave. NW, Farley, IA 52046 ■ Ph. (563)744-3246 ■ Fax (563)744-9066 ■ [www.behnkeenterprises.com](http://www.behnkeenterprises.com)

# Super Duty

## Flatbed



\*Drawing is representative of dimensions available. Contact dealer for additional specs.

### Super Duty Flatbed Trailer

GVW	Bed Length	Beavertail	Width
40,000	21', 23', 25', or 27'	6'	8' 6"

<b>Axles</b>	(1) 20,000 lb. axle w/ ABS Air Brakes, Spring Ride (1) 20,000 lb. axle w/ Non-ABS Air Brakes, Spring Ride
<b>Tires/Rims</b>	(8) 235/75R-17.5 Load Range H Tire (16-ply) w/ Dual Wheel

<b>Frame</b>	1 Piece I-beam construction, 80 ksi web and T1 flanges
<b>Hitch</b>	3" Adjustable Pintle Hitch (Rated at 90,000 lbs.)
<b>Brakes</b>	Air Brakes
<b>Toolbox</b>	Toolbox in Tongue With Lockable Lid
<b>Jack</b>	(2) Dual Speed Semi-style Landing Gear
<b>Beavertail</b>	6' Self Cleaning Angle Iron Beavertail
<b>Ramps</b>	6' Self Cleaning Angle Iron Ramps (spring loaded both directions)
<b>Floor</b>	Oak Deck
	Solid Front Rail
	4" Jr. I-Beam Crossmembers on 16" Centers
	8" Channel Side Rail
	1/4" Steel Over the Wheels
	D-rings -- Every 4'
	(2) Grade 70 Transporter Safety Chains
<b>Deck Height</b>	Approximately 34" when unloaded
<b>Lights</b>	Rubber mounted sealed LED lights
	Mud Flaps
	Reflector Tape
<b>Finish</b>	Zinc Rich Primed and Powder Coated--Standard: Black, Red, Blue, Gray & Yellowstone



Manufactured by:

Behnke Enterprises, Inc. ■ 800 9th Ave. NW, Farley, IA 52046 ■ Ph. (563)744-3246 ■ Fax (563)744-9066  
www.behnkeenterprises.com