

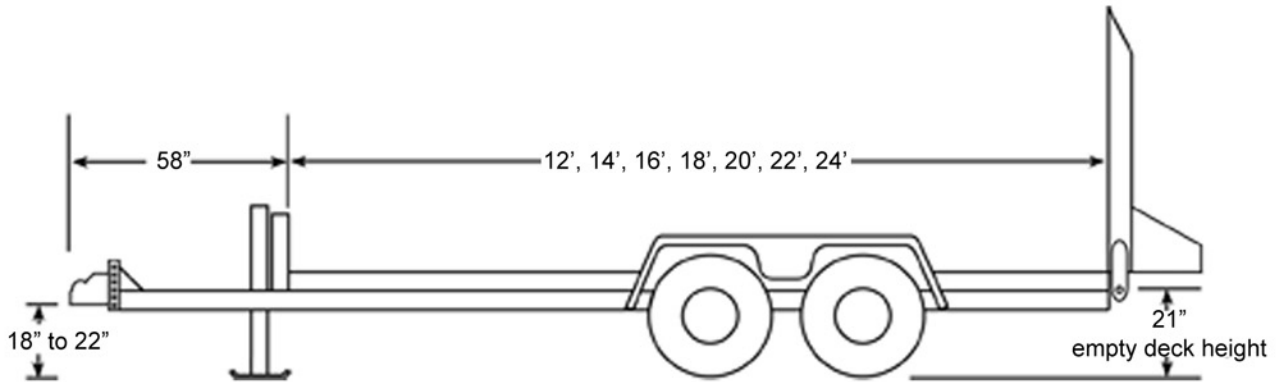
Angle Equipment Trailer *Angle Frame*

7,000 - 10,000 - 12,000 - 14,000 - 16,000 GVW



Angle Equipment Trailer *Angle Frame*

7,000 - 10,000 - 12,000 - 14,000 - 16,000 GVW



GVW	Bed Length	Dexter Axles	Tire
7,000	12', 14', 16', 18', 20'	(2) 3,500 lb.	ST205-75R-15D
10,000	12', 14', 16', 18', 20'	(2) 5,200 lb.	ST225-75R-15D
12,000	12', 14', 16', 18', 20', 22', 24'	(2) 6,000 lb.	ST235-80R-16D
14,000	12', 14', 16', 18', 20', 22', 24'	(2) 7,000 lb.	ST235-80R-16E
16,000	12', 14', 16', 18', 20', 22', 24'	(2) 8,000 lb.	215-75R-17.5

FRAME

7,000	3 x 5 x 1/4 Angle
10,000	3 x 5 x 1/4 Angle
12,000	12'-16' = 3 x 5 x 3/8 Angle; 18'-22' = 4 x 6 x 3/8 Angle; 24' = 4 x 7 x 3/8 Angle
14,000	4 x 6 x 3/8 Angle
16,000	4 x 7 x 3/8 Angle

Width Between Fenders	83" (7,000 lb., 10,000 lb., 12,000 lb., 14,000 lb.) 81" (16,000 lb.)
Brakes	Electric
Fender	7K = Teardrop; 10K - 16K = 1/8" Formed
Jack	7K = 7,000 lb.; 10K - 16K = 10,000 lb.
Stake Pockets	Yes
Ramps	5' Flip-up
Floor	2 x 8 Treated Wood
Finish	Zinc Primed and Powder Coat Finish - Black, Red, Post Office Blue, Yellowstone

Front Rail	2" x 2" x 3/16 Angle; 15" Tall
-------------------	--------------------------------



Manufactured by:

Behnke Enterprises, Inc.
800 Ninth Ave. NW, Farley, IA 52046
www.behnkeenterprises.com
Ph. (563)744-3246/Fax (563)744-9066

