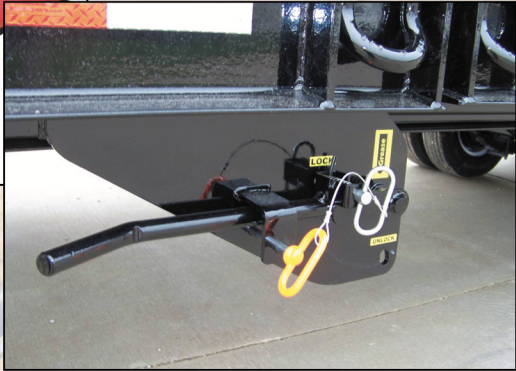


# FLATBED TILT



Manufactured by:

Behnke Enterprises, Inc. ■ 800 9th Ave. NW, Farley, IA 52046 ■ Ph. (563)744-3246 ■ Fax (563)744-9066  
[www.behnkeenterprises.com](http://www.behnkeenterprises.com)

# FLATBED TILT

## 14,000 lb. GVW -- Pulltype

Model	Tilt Length	Stationary
GDFB8X22TPT	18'	4'
GDFB8X24TPT	18'	6'
GDFB8X26TPT	18'	8'

### Standard Features

(2) 7,000 lb. Torflex Dexter Axles
(4) ST235-80R-16 Tire and Wheel
2 5/16 Coupler or Pintle Hitch

## 14,000 lb. GVW -- Gooseneck

Model	Tilt Length	Stationary
GDFB8X22TGN	18'	4'
GDFB8X24TGN	18'	6'
GDFB8X26TGN	18'	8'

### Standard Features

(2) 7,000 lb. Torflex Dexter Axles
(4) ST235-80R-16 Tire and Wheel
8" Channel Gooseneck

(1) 12 x 12 x 48" Toolbox • (1) 10,000 lb. Heavy Duty Spring Loaded Jack • Dual Cushion Cylinders  
 Rubber Mounted Sealed LED Lights • Stake Pockets & Rub Rail • 2 x 8 Treated Wood Floor • Mud Flaps  
 (2) 3/8 Safety Chains • Light Plug Holder • Modular Wire Harness • Reflector Tape • Breakaway Kit  
 Zinc Primed and Powder Coat Finish -- Black, Red, Blue, Gray, Yellowstone (standard colors)

### Optional Axle Upgrade

8,000 lb.	215-75R-17.5 tire and wheel
-----------	-----------------------------

Triaxle	(7K) ST235-80R-16 tire and wheel
10,000 lb.	235-75R-17.5 tire and wheel

## 20,000 lb. GVW -- Pulltype

Model	Tilt Length	Stationary
FB8X28TPT	24'	4'
FB8X30TPT	24'	6'
FB8X32TPT	24'	8'
FB8X34TPT	24'	10'

### Standard Features

(2) 10,000 lb. Heavy Duty Axles Oil Bath with Electric Brakes
(8) ST235-80R-16 Tire and Dual Wheel
2 5/16 Coupler or Pintle Hitch
(2) 12 x 12 x 48" Underbody Toolbox

## 20,000 lb. GVW -- Gooseneck

Model	Tilt Length	Stationary
FB8X28TGN	24'	4'
FB8X30TGN	24'	6'
FB8X32TGN	24'	8'
FB8X34TGN	24'	10'

### Standard Features

(2) 10,000 lb. Heavy Duty Axles Oil Bath with Electric Brakes
(8) ST235-80R-16 Tire and Dual Wheel
8" Channel Gooseneck
(1) 12 x 12 x 48" Underbody Toolbox
(1) 12 x 12 x 36" Toolbox between uprights

Two Speed Dual Heavy Duty Spring Loaded Jack • Dual Cushion Cylinders  
 (16) D-rings -- (8) Per Side • (2) 12 x 12 x 48" Toolboxes • Rubber Mounted Sealed LED Lights  
 2 x 8 Treated Wood Floor • Mud Flaps • (2) 3/8 Safety Chains  
 Light Plug Holder • Modular Wire Harness • Reflector Tape • Breakaway Kit  
 Zinc Primed and Powder Coat Finish -- Black, Red, Blue, Gray, Yellowstone (standard colors)

### Optional Axle Upgrade, Air Brake

10,000 lb.	ST235-80R-16 Tire and Dual Wheel
12,000 lb.	ST235-80R-16 Tire and Dual Wheel
15,000 lb.	215-75R-17.5 tire and dual wheel
20,000 lb.	235-75R-17.5 tire and dual wheel

### Optional In Semi Style

60,000 to 80,000 Capacity
---------------------------

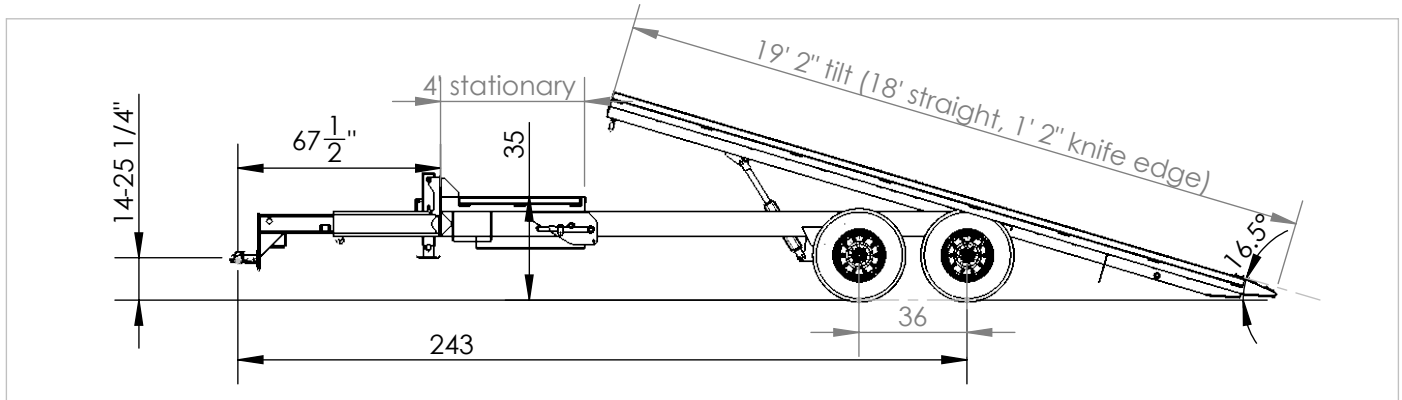
### Optional Axle Upgrade, Electric Brake

12,000 lb.	ST235-80R-16 Tire and Dual Wheel
15,000 lb.	215-75R-17.5 tire and dual wheel



Manufactured by:

Behnke Enterprises, Inc. ■ 800 9th Ave. NW, Farley, IA 52046 ■ Ph. (563)744-3246 ■ Fax (563)744-9066



<b>GVWR</b>	20,000 lbs.
<b>Capacity</b>	13,700 lbs. + tongue weight
<b>Weight</b>	6,300 lbs.
<b>General</b>	4' stationary wood deck, 18' wood tilting deck w/knife edge beavertail, dual cushioned cylinders, 102" wide
<b>Frame</b>	<b>Stationary Part:</b> 10" channel, 5 x 3 x 1/4 angle side rail, 35" unloaded deck height, headboard 8" above deck <b>Tilt Part:</b> 10" channel frame, 5 x 3 x 1/4 angle side rail <b>Beavertail:</b> 1' sloped with 1" lip and traction bars
<b>Crossmembers</b>	3" channels on 16" centers
<b>Jack</b>	Dual speed jack (12K capacity)
<b>Hitch</b>	2 5/16" Demco E-Z latch coupler, adjustable 14-25 1/4"
<b>Safety Chains</b>	(2) 3/8" safety chains
<b>Tie-Downs</b>	stake pockets and rub rail
<b>Axles</b>	(2) 10K torflex Dexter axles
<b>Brakes</b>	Electric
<b>Suspension</b>	Torsion
<b>Tire and Wheels</b>	235/75R-17.5H Single Radial Tires and Wheel
<b>Finish and Paint</b>	All trailers are pre-blasted, acid washed, zinc rich primed, and topped with powder coat
<b>Electrical</b>	all air and electric done after paint, DOT approved all sealed rubber mounted LED
<b>Decking</b>	2 x 8 treated pine
<b>Latch</b>	Heavy duty pipe latch locking system w/safety pin (see photos)