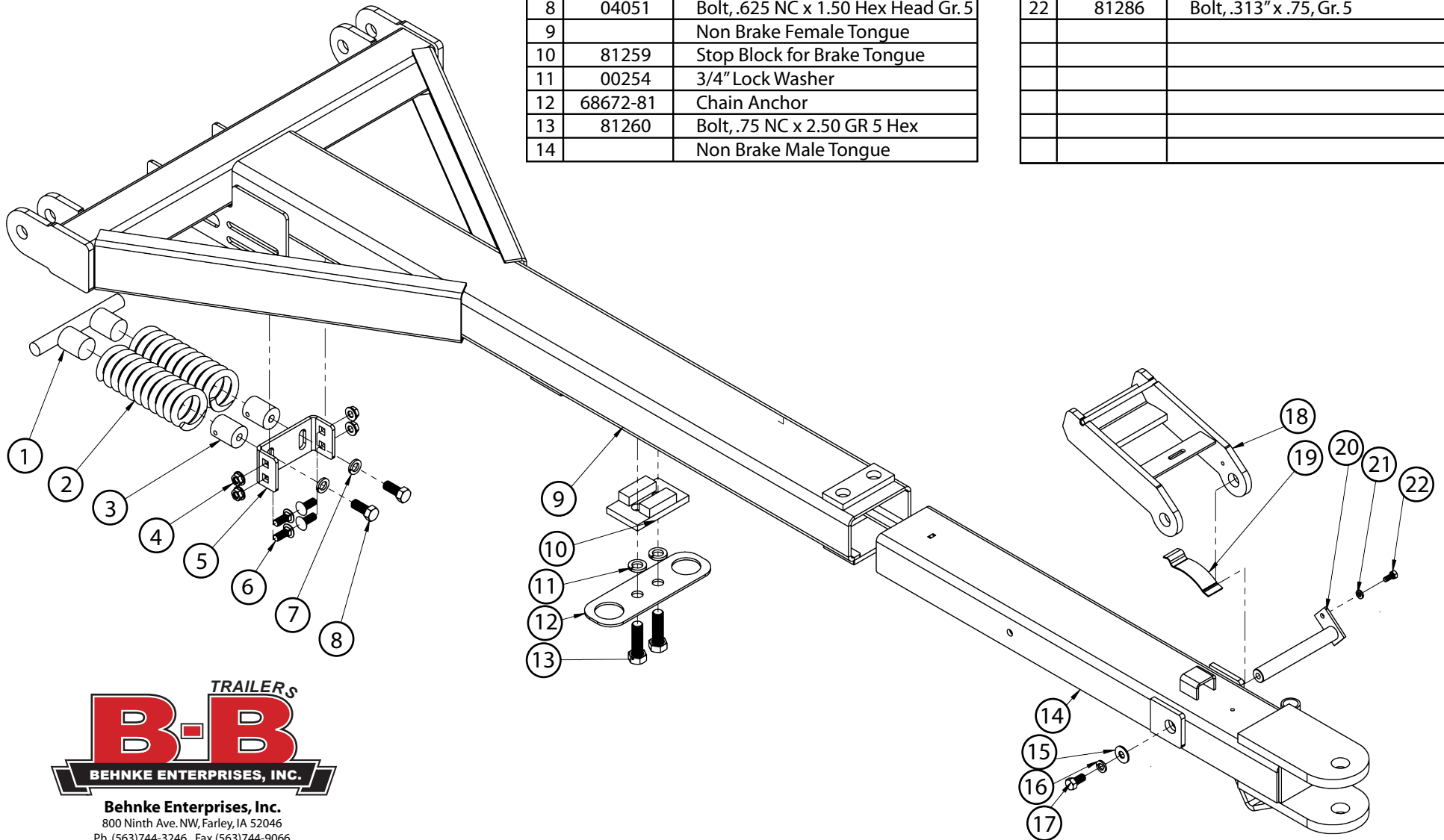


GN2900 Wagon Non-brake Tongue

1	91088	Spring T-Handle
2	23822	Behnke Lift Ast. Spring
3	68815-95	Spring End
4	10379	5/8" UNF Flanged Wheel Nut
5	68807-81	Spring Mount
6	15481	Bolt, .50 NC x 1.25
7		Washer Spring Lock, 5/8"
8	04051	Bolt, .625 NC x 1.50 Hex Head Gr. 5
9		Non Brake Female Tongue
10	81259	Stop Block for Brake Tongue
11	00254	3/4" Lock Washer
12	68672-81	Chain Anchor
13	81260	Bolt, .75 NC x 2.50 GR 5 Hex
14		Non Brake Male Tongue

15		1/2" Flat Washer
16	00248	1/2" Lock Washer
17	04795	Bolt, .50 NC x 1.00 Hex Head Gr. 5
18	81282	Tongue Latch 650
19	81283	Tongue Latch Spring
20	81284	Latch Pin
21	81285	LW .3125 Lock Washer
22	81286	Bolt, .313" x .75, Gr. 5



Behnke Enterprises, Inc.
800 Ninth Ave. NW, Farley, IA 52046
Ph. (563)744-3246 Fax (563)744-9066