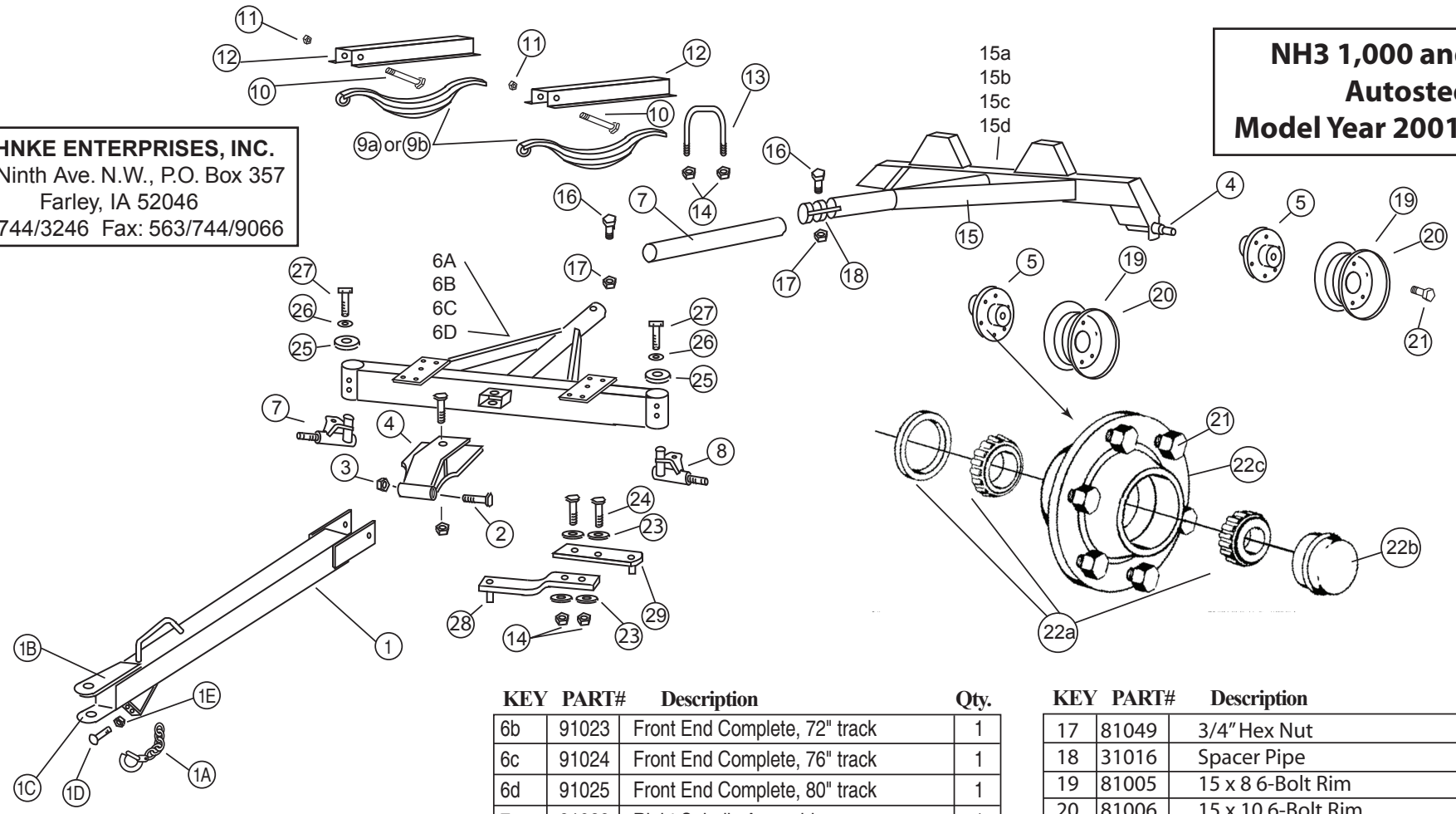


BEHNKE ENTERPRISES, INC.
 800 Ninth Ave. N.W., P.O. Box 357
 Farley, IA 52046
 563/744/3246 Fax: 563/744/9066

**NH3 1,000 and 1,450
 Autosteer
 Model Year 2001 or Newer**

01/01/06



KEY PART#	Description	Qty.
1	91026 Auto Steer Tongue	1
1A	81012 Safety Chain w/ Hook	2
1B	31041 Upper Clevis	1
1C	31041 Lower Clevis	1
1D	81044 1/2" x 1 1/4" Grade 5 Carriage Bolt	2
1E	81040 1/2" Lock Nut	2
2	81052 1" x 5 1/2" Hex Bolt	2
3	81017 1" Lock Nut	2
4	91027 Tie Rod Pivot Connector	1
5	81018 6 Bolt Hub, Complete with bearings	4
6a	91022 Front End Complete, 60" track	1

KEY PART#	Description	Qty.
6b	91023 Front End Complete, 72" track	1
6c	91024 Front End Complete, 76" track	1
6d	91025 Front End Complete, 80" track	1
7	91028 Right Spindle Assembly	1
8	91029 Left Spindle Assembly	1
9a	81013 5-leaf Slipper Spring	2
9b	81014 7-leaf Slipper Spring	2
10	81015 Spring Bolt	2
11	81045 Spring Bolt Nut	2
12	91005 Spring Holder Bracket	2
13	81041 1/2" U Bolt	4
14	81040 1/2" Lock Nut	8
15a	91013 Fixed Rear End Complete, 60" track	1
15b	91014 Fixed Rear End Complete, 72" track	1
15c	91015 Fixed Rear End Complete, 76" track	1
15d	91016 Fixed Rear End Complete, 80" track	1
16	81048 3/4" x 4 1/2" Hex Bolt	2

KEY PART#	Description	Qty.
17	81049 3/4" Hex Nut	2
18	31016 Spacer Pipe	1
19	81005 15 x 8 6-Bolt Rim	4
20	81006 15 x 10 6-Bolt Rim	4
21	81046 9/16" Lug Bolt	2
22a	81020 Bearings and seal, only	
22b	81021 Dust Cap, only	
23	81053 1/2" Flat Washer	8
24	81054 1/2" x 2 Hex Bolt	4
25	31118 Top Spindle Washer	2
26	81055 1/2" Lock Washer	2
27	81056 1/2" x 1" Hex Bolt	2
28	91030 Inner Tie Rod	2
29	91031 Outer Tie Rod	2