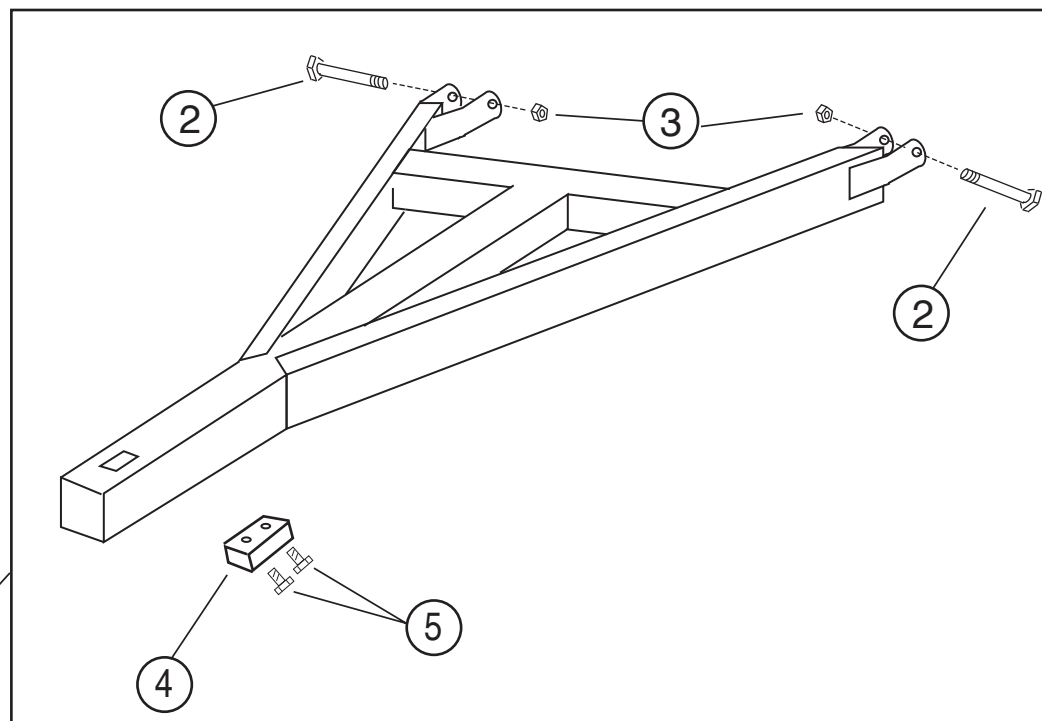
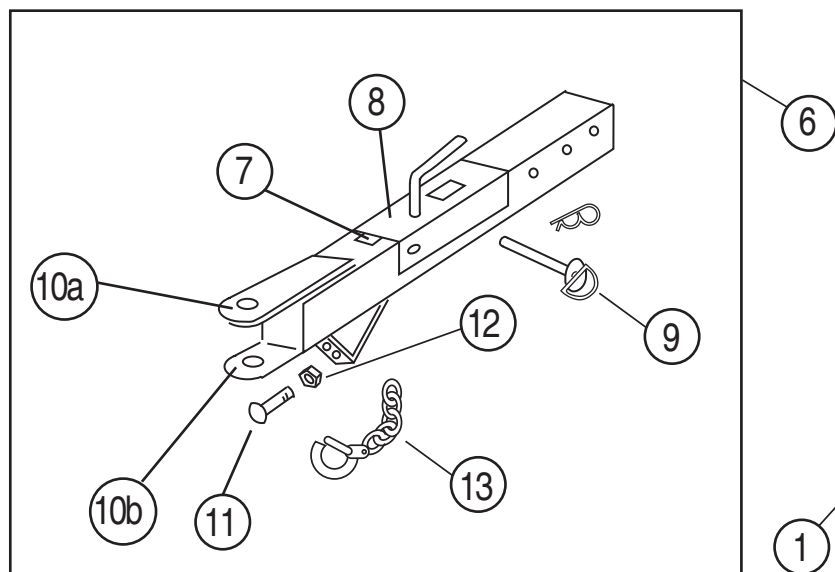


Retractable Hitch Tongue



KEY	PART#	Description	Qty.
1, 6	91091	Complete Retractable Hitch Tongue	1
1	91032	Tongue--Rear Part Retractable	1
2	81016	1" x 4 1/2" Hex Bolt	2
3	81017	1" Lock Nut	2
4	31070	Slide Stop Block	1
5	81293	1/2" x 2 1/2" Grade 5 Hex Bolt	2
6	91033	Front Tongue Retractable	1
7	31068	Spring Steel Plate (Latch Spring)	1
8	91034	Hand Lock Retractable	1
9	81294	3/4 x 4 1/4 Hitch Pin	1
10a	31041	Upper Clevis	1
10b	31041	Lower Clevis	1
11	81044	1/2" x 1 1/4" Grade 5 Carriage Bolt	2
12	81040	1/2" Lock Nut, Serrated	2
13	81012	Safety Chain w/ Hook	8

Retractable Hitch Tongue

Use on:

AAWagon
 High Clearance Wagon
 Fixed Wagon
 Auto Steer Wagon

BEHNKE ENTERPRISES, INC.
 800 Ninth Ave. N.W., P.O. Box 357
 Farley, IA 52046

